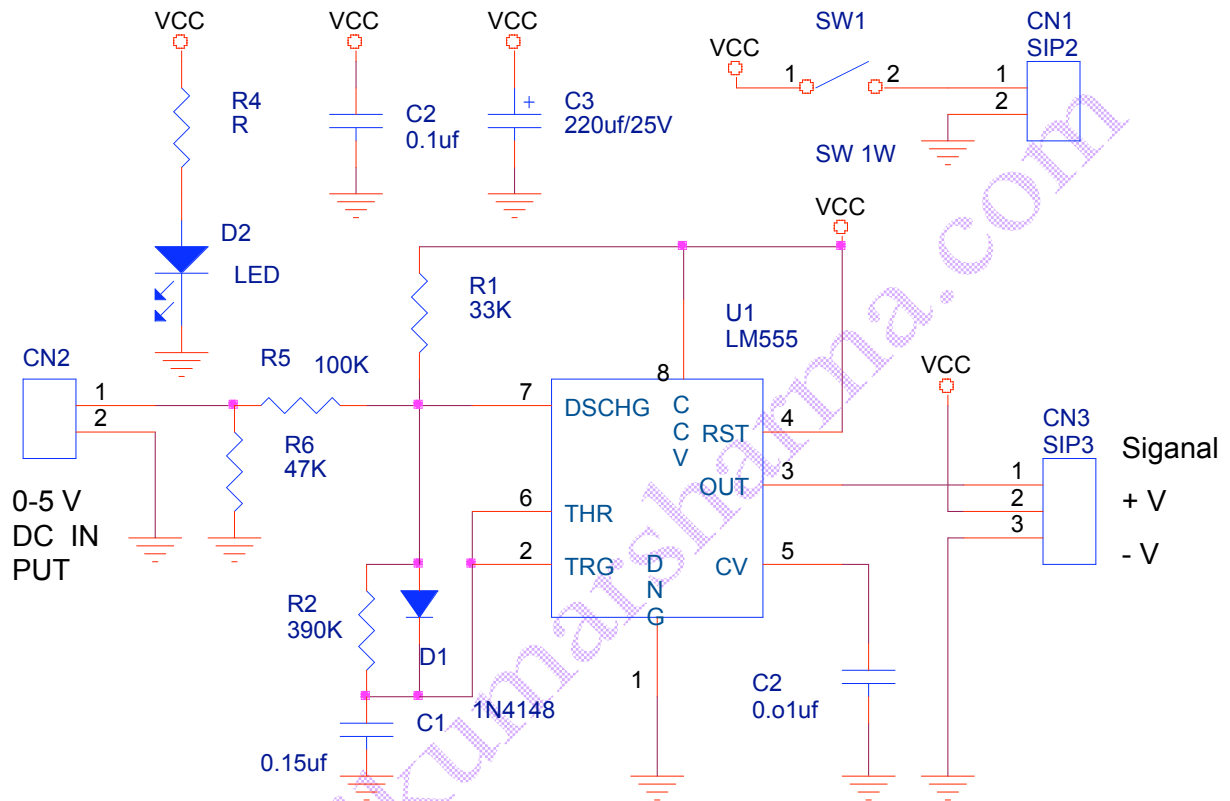


0 TO 5V DC SERVO CONTROLER

Author Rajkumar Sharma



- This simple circuit can be use in animatronics application and some other application like where mechanical movement need to controlled by voltage changes
- Here CN3 is goes to servo
- CN2 is 0-5 V DC in to drive the servo

Copyrights Rajkumar Sharma 2004