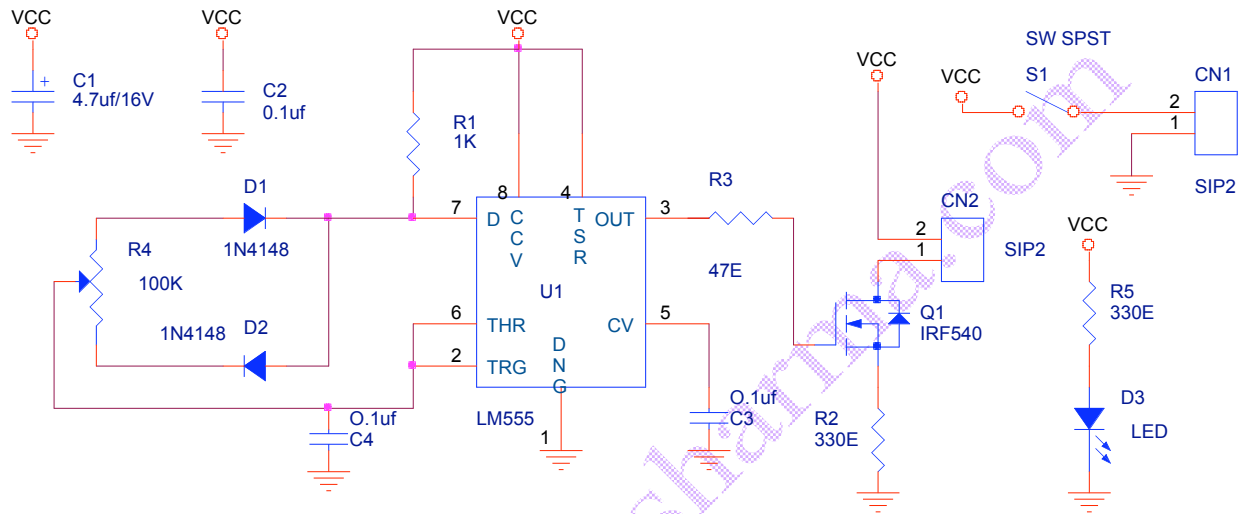


# 555 DC Motor Speed Controller

Author Rajkumar Sharma



This simple project is use to control the DC motor speed based on 555 timer

- This circuit is based on PWM
- R4 is for control the motor speed
- IRF540 is N channel Mosfet CN2 is goes to DC motor up to 12V DC
- CN1 is 12 V DC supply in
- D3 is LED indication for supply