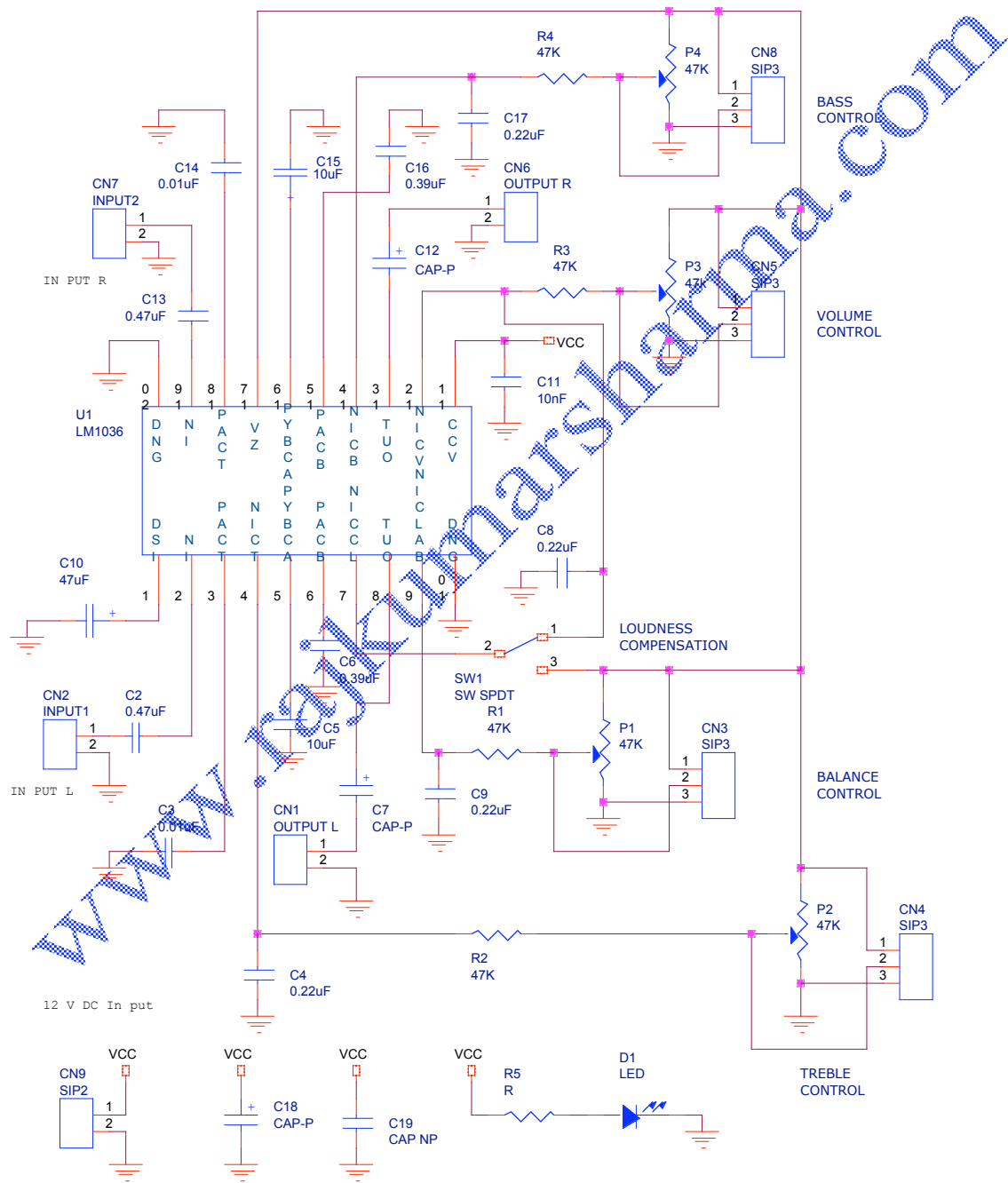


Audio Bass and Treble Control

Author Rajkumar Sharma



Copyrights Rajkumar Sharma 2004