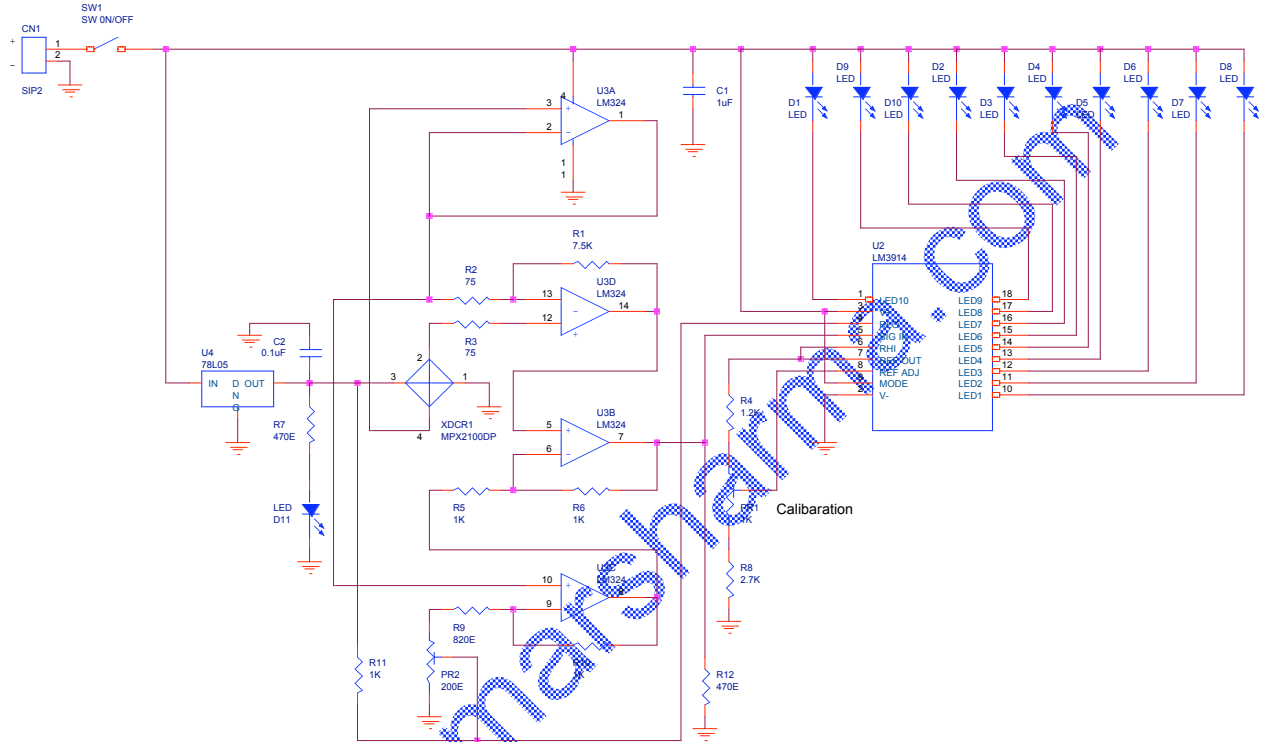


Bar Graph Pressure Gauge

Author Rajkumar Sharma

12 V DC supply input



Simple circuit for Bar Graph Pressure Gauge

- CN1 is 12 Volt Supply In
- MPX2100DP is Pressure sensor from Motorola
- D11 is supply indicator
- Op Amp is for signal processor
- LM3914 is bar graph Meter IC national made
- D1 to D10 are LEDs for pressure gage
- 7805 is 5 volt DC regulator
- PR2 is for setting the Zero
- PR1 is for calibration
- Range is 100Kpa in increments of 10Kpa