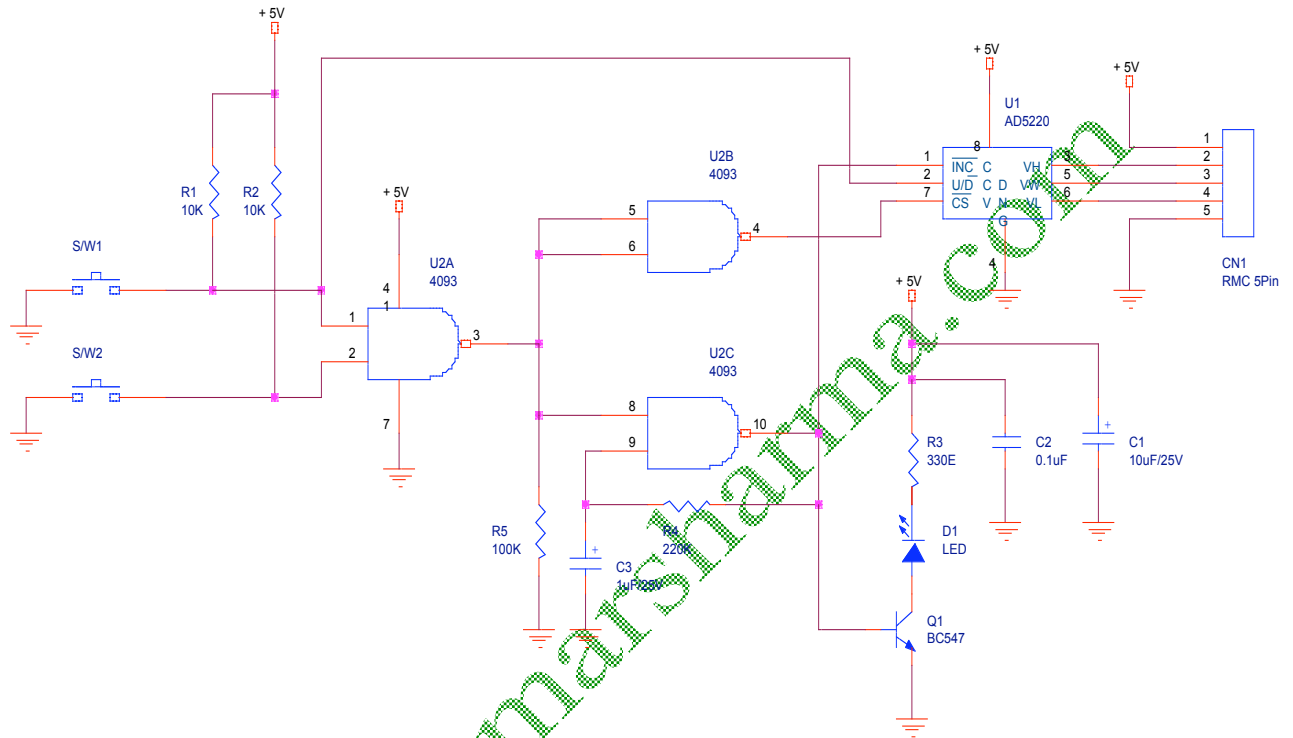


# Digital Mono Volume Control

Author Rajkumar Sharma



Digital circuit can be use as digital volume control in audio amplifier. There is other application also like digital power supply, digital oscillator or remote control applications. AD5220 is heart of the circuit this is Analog Device IC is very handy and easy to use 4093 is gate which provide the Chip Select pulse, up/down pulse and square waves for incremental and decremental the Volume or voltage.

Copyrights 2004