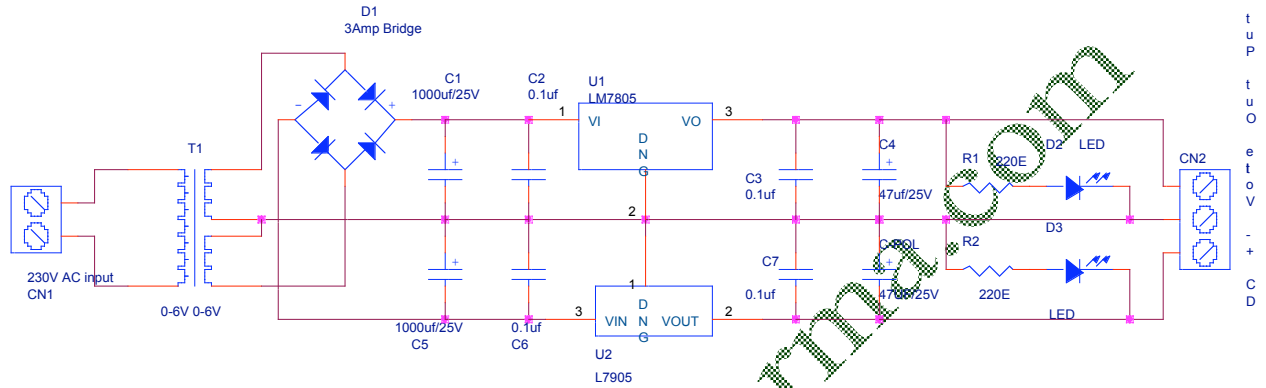


Dual Power Supply

Author Rajkumar Sharma



This power supply can delivers + - 5 Volt DC and up to 1 AMP with To220 Package if u want more amp the TO3 package can delivers up to 3 Amps. Here I have used LM7805 as positive regulator and LM7905 for negative supply. If some buddy wants + - 12 V DC the they can use LM7812 and LM7912. D2 and D3 are supply LED CN1 is 230 V Ac in put. CN2 is out put supply.