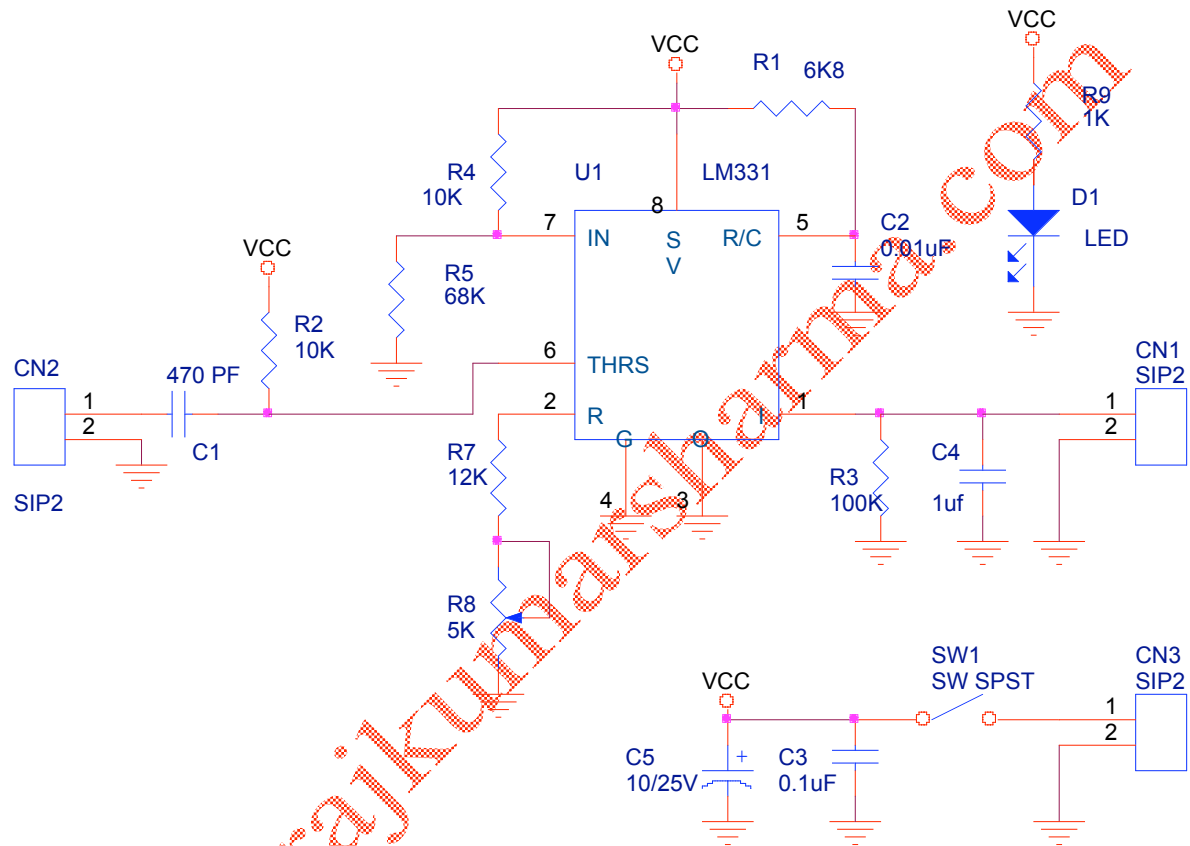


Frequency to Voltage Converter

Author Rajkumar Sharma



This circuit has lots of application like for remote temperature, light, or data transmitter, and isolator tachometer to measure the motor RPM car wheel speed. This circuit work with 15 Volts CN2 is frequency input CN1 is out put which gives 0 to 10 Voltages with input of 0 to 10 KHz.

www.rajkumarsharma.com