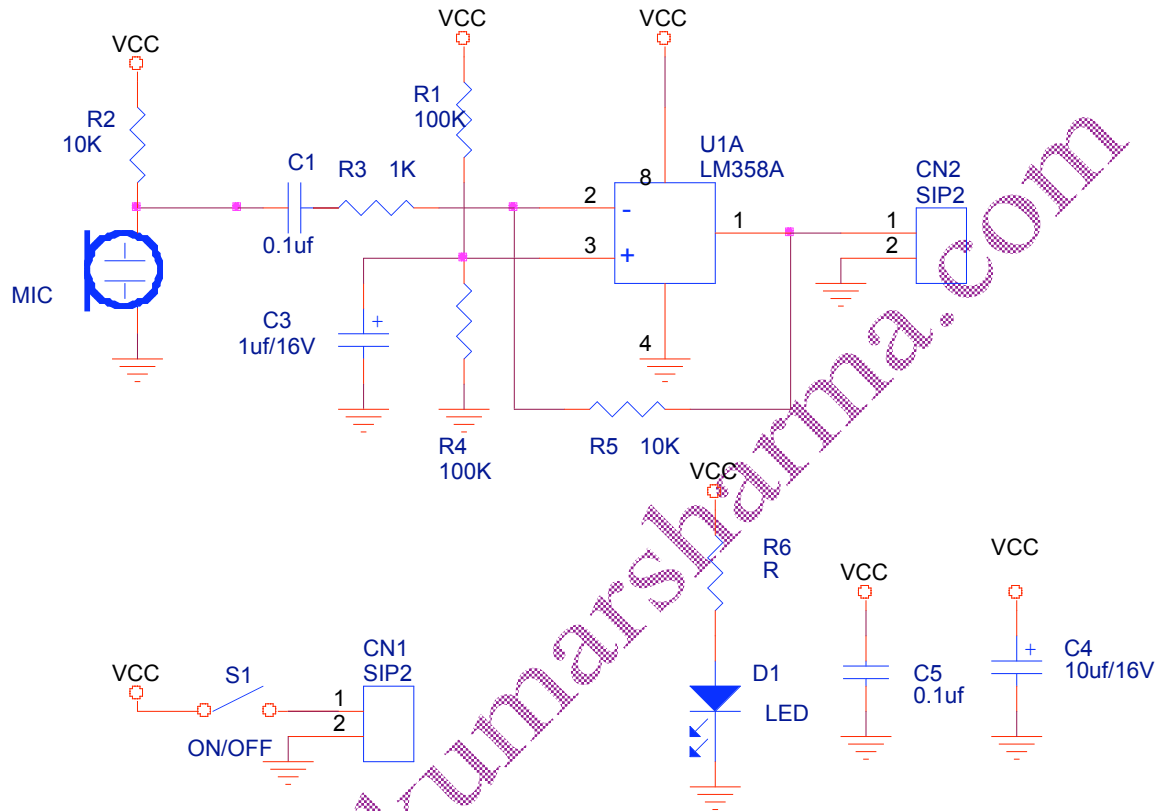


Mic Preamplifier

Author Rajkumar Sharma



- Mic preamp is based on Op amp LM358
- This circuit is designed for condenser mic
- D1 is LED for supply indication
- CN2 is audio output
- CN1 is supply input 5V DC