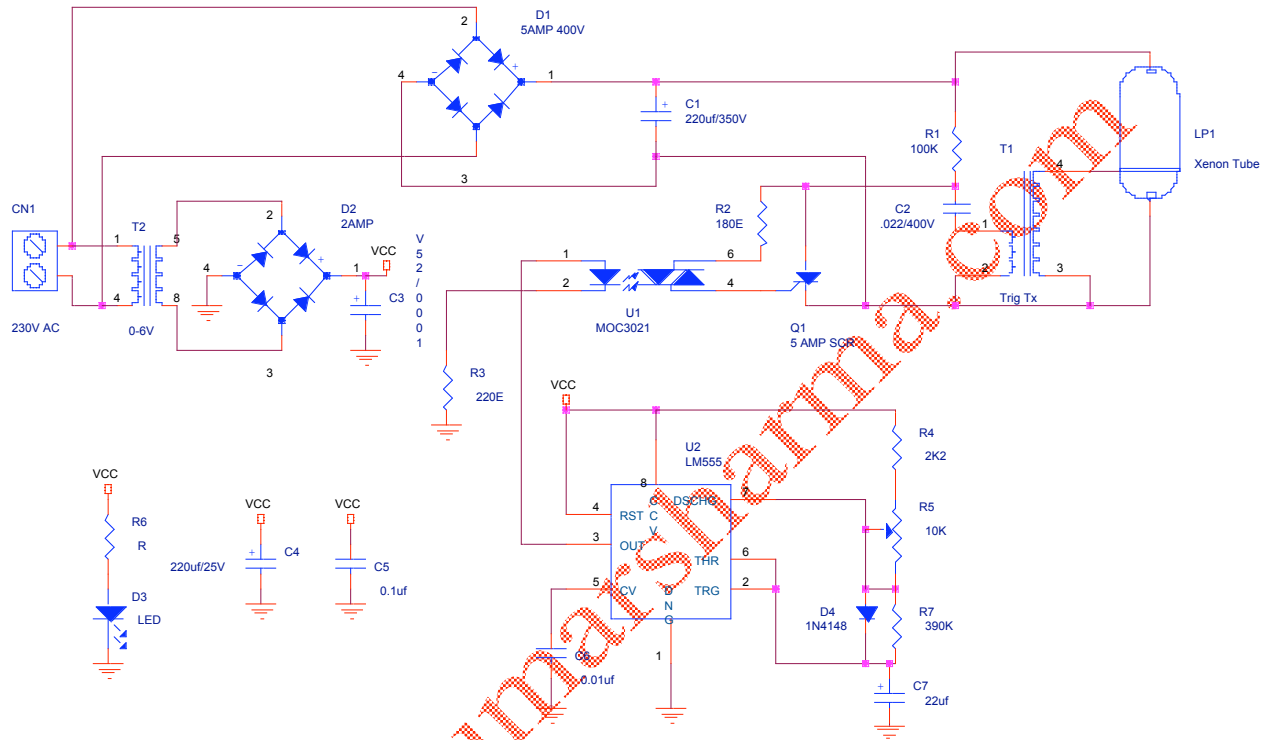


Strobe

Author Rajkumar Sharma



EXTREME HAZARD WARNING

This circuit works with mains voltage whole circuit is live be aware.

Xenon tube need high voltage to trigger this is simple circuit to make STROBE. 555 is oscillator for strobe frequency. R5 is to set the trigger frequency T1 is high voltage trigger transformer U1 is traic opto isolator Q1 is 5 Amp SCR any SCR can be use LP1 is Xenon lamp which easily take it out from camera or its available from market. T2 and D2 is power supply for 555 oscillators.

Copyrights 2004