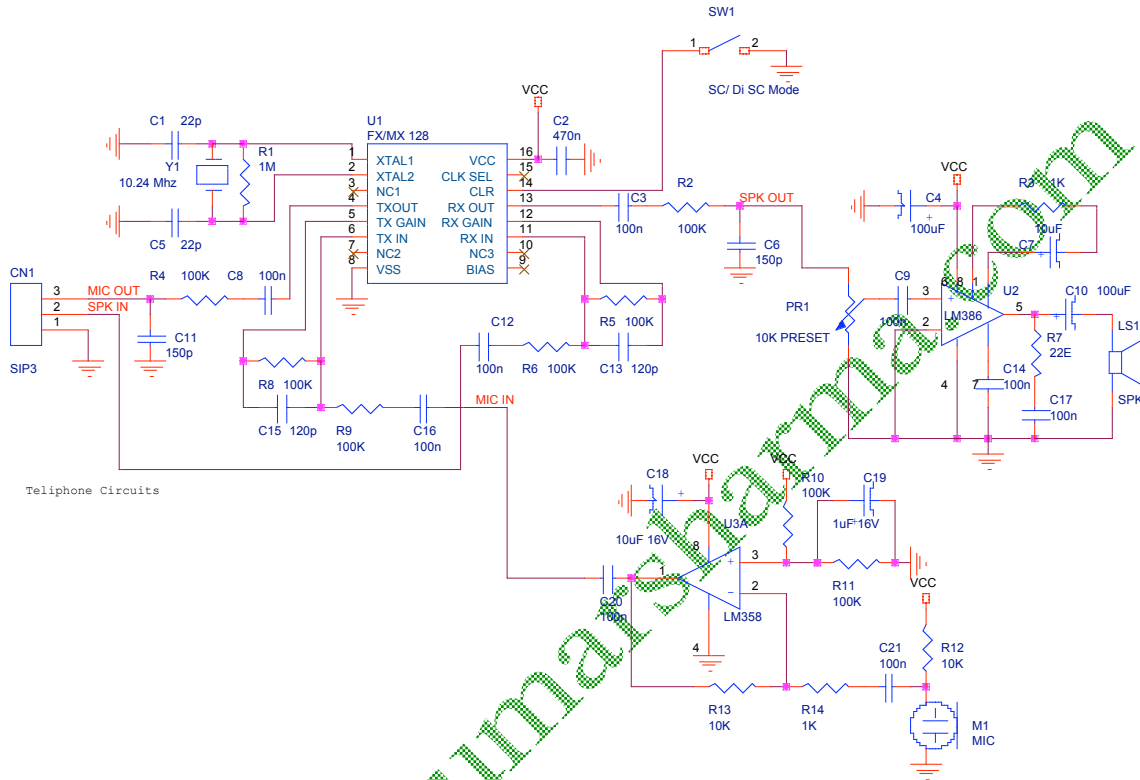


# Telephone Scrambler

Author Rajkumar Sharma



This is circuits can be interface with telephone for telephone you have to use in both phones with who you talking its. FX128 is heart of the circuit its inverse the signal. This duplex circuit. SW1 is or scrambler and descrambler.

Copyrights 2004