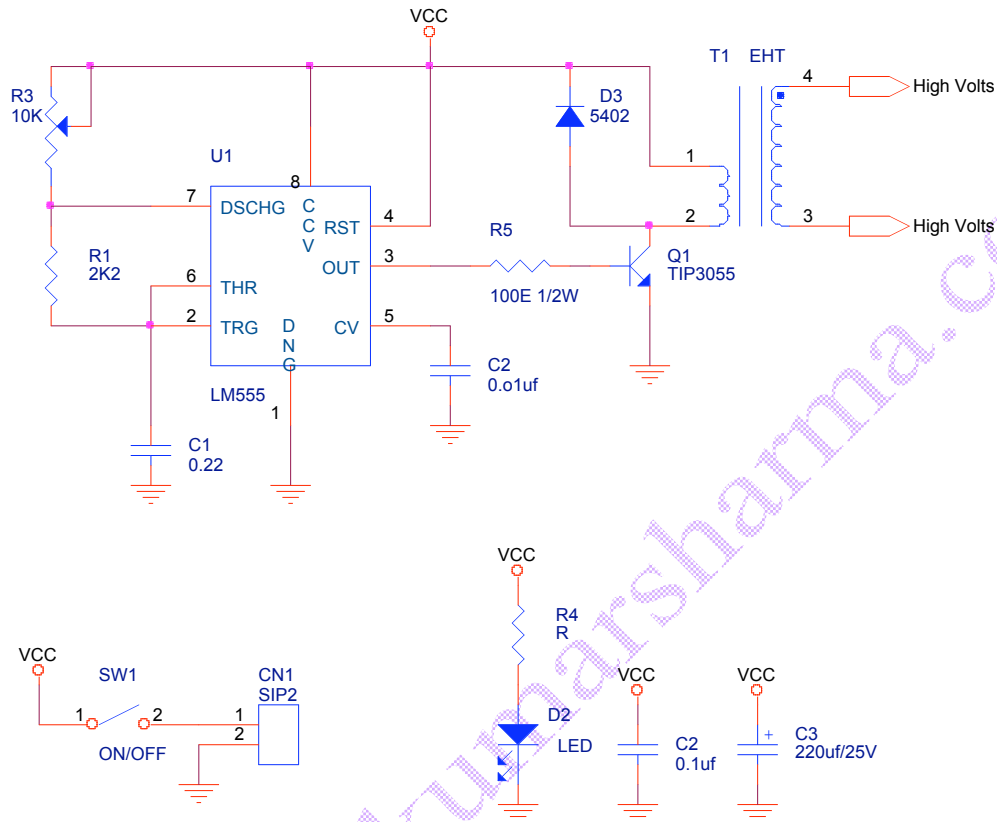


Tesla Coil for High Voltages

Author Rajkumar Sharma



BE AWARE HIGH VOLATAGES

CAREFULL WHILE TESTIONG THIS CIRCUIT HIGH VOLTGE SHOCK

This is simple oscillator to drive the Transistor TIP3055 frequency is approx 25Khz which can be set with pot EHT is can be take it out old TV or monitor this circuit can generate 12K V D.

- 555 IC is for oscillator
- D3 is protection diode for transistor
- Q1 is TIP 3055 NPN transistor to drive the primary coil of EHT
- This circuit will work fine with 12V DC to 18 V DC
- Out put supply will be approx 12K V DC with 20inch black and white TVs EHT