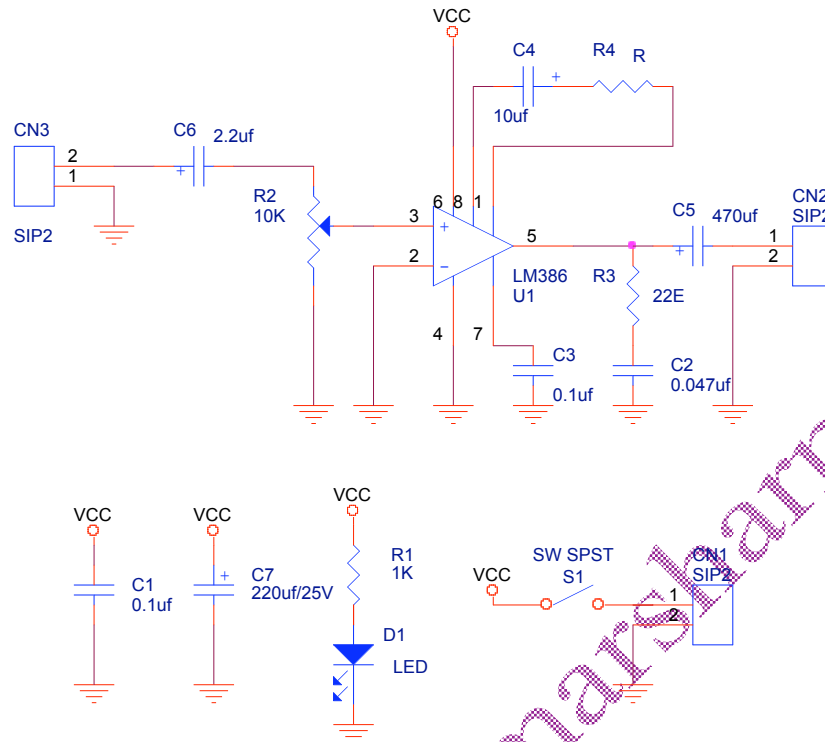


# Tiny Audio Amplifier

Author Rajkumar Sharma



Tiny Amplifiers is based on National LM386 IC

- Tiny Amplifiers has wide input voltage range 5 to 12 V DC
- R2 is volume control
- CN2 goes to speaker
- CN3 is audio signal input
- D1 for supply indicator
- CN1 is supply in 5 to 12 V DC

Copyrights 2004