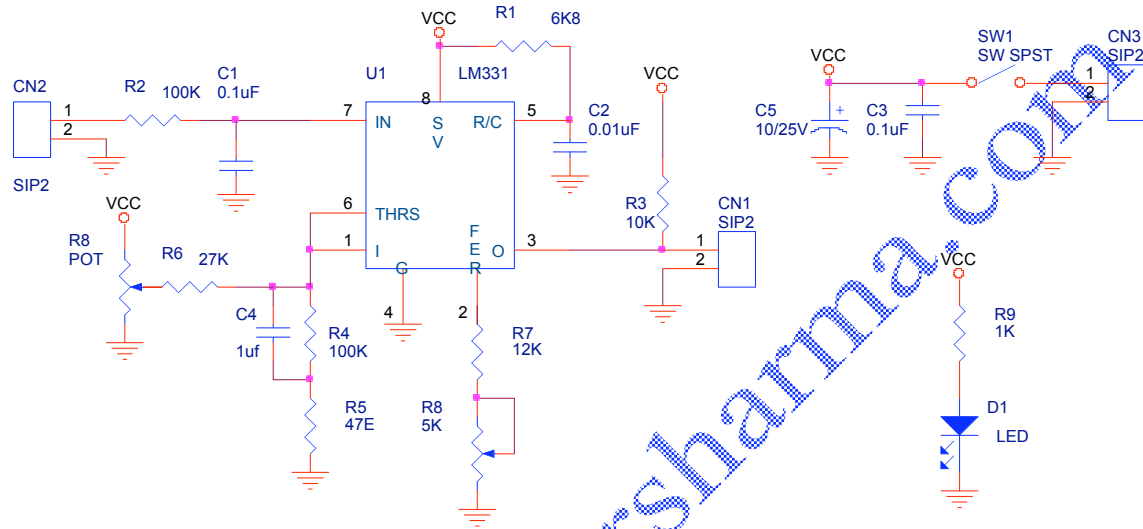


Voltage to Frequency Converter

Author Rajkumar Sharma



This circuit is based on national LM331 use of this circuit is voltages in to frequency and application for such circuits in remote temperature measurements.

Copyrights 2004