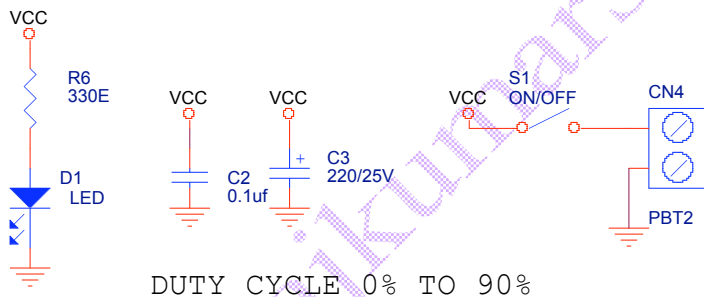
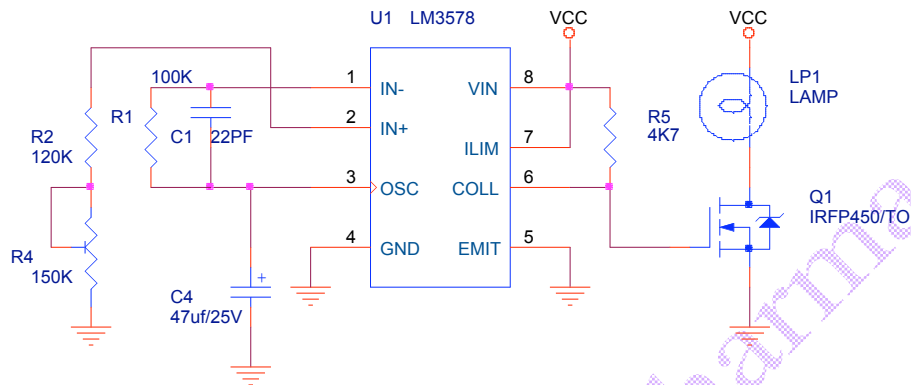


# LM3578 Lamp Flasher

**Author** Rajkumar Sharma



Here circuit is to flash the Lamp

- Lamp Flasher can be use for some warning alarm or as side Light indicator for vehicles
- Frequency of flash is depends on C4 s value as more the value flasher frequency will be low
- IRPF450 is high amp Mosfet
- 6 V to 30 V Lamp can drive be drive with this circuit.
- Lamp ON/OFF duty cycle can be set with R4 POT