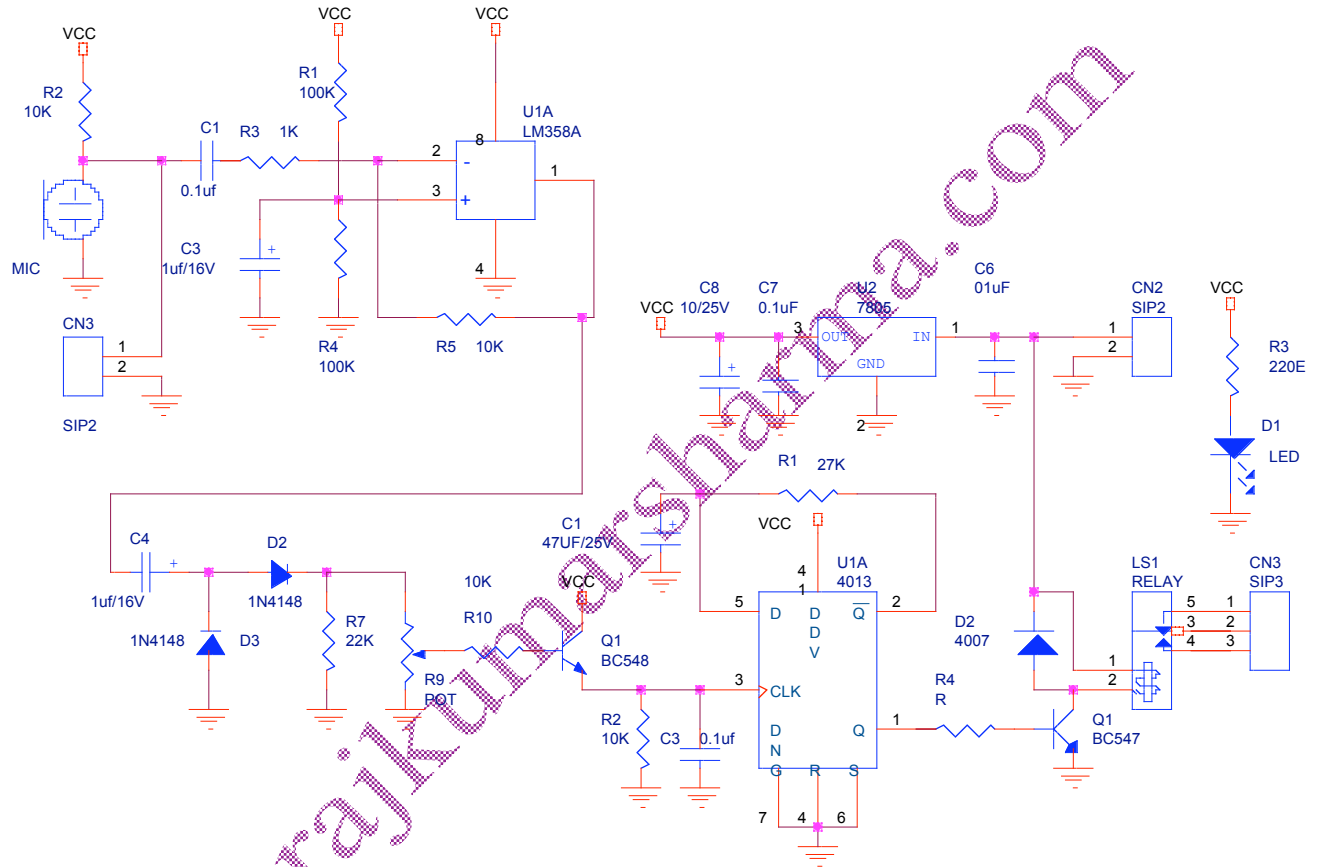


# Sound Activate Switch

Author Rajkumar Sharma



This circuit is use for sound activate switch for fun or in sound activate audio recording system. LM358 is MIC preamp, 4013 is for toggle switch Q1 is to drive the relay.