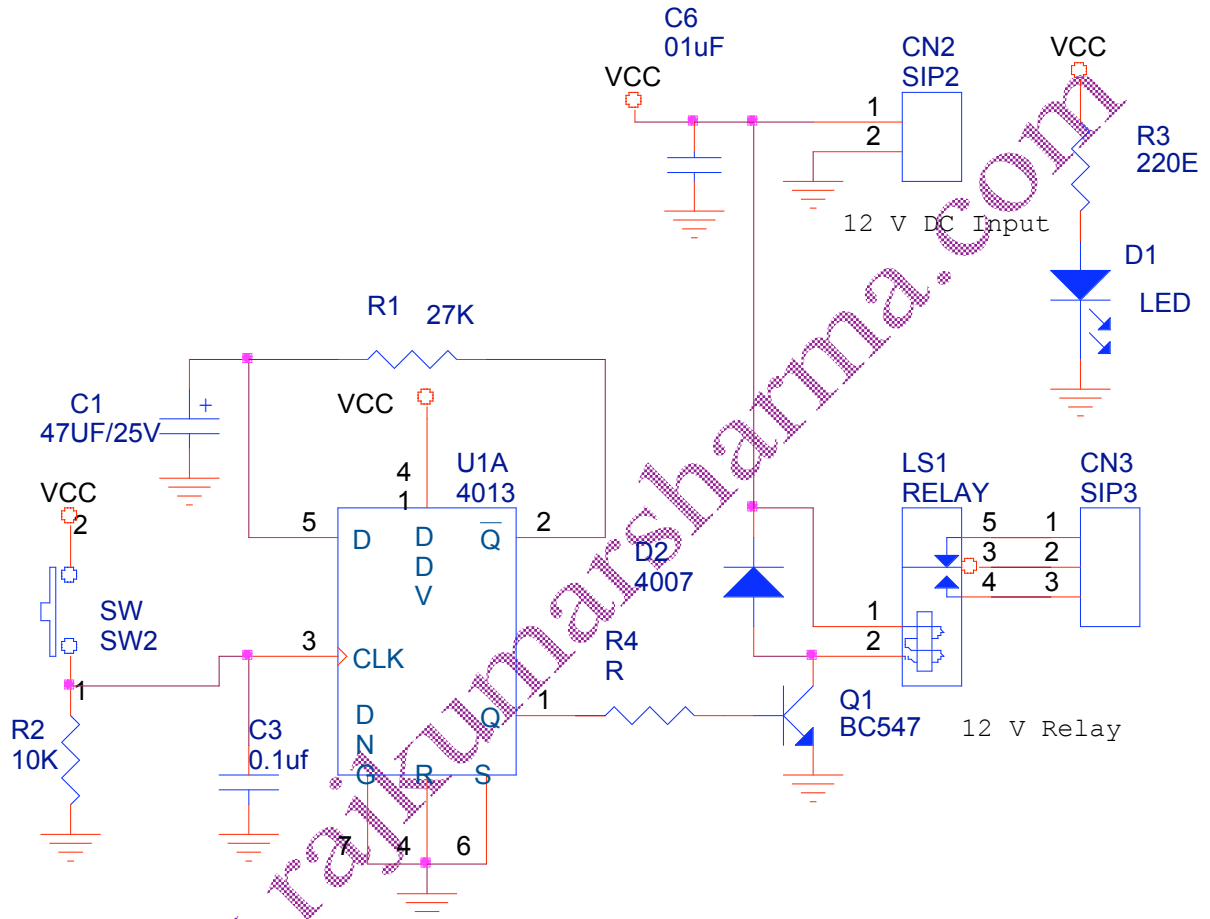


Toggle Switch

Author Rajkumar Sharma



This simple electronics toggle switch based on flip-flop 4013